

# PD4-EB

Brushless DC Motor with Integrated Controller and Protection Class IP65 - NEMA 23



## OPTIONS



## SOFTWARE



## TECHNICAL DATA

Operating Voltage	12 VDC - 48 VDC
Number of Digital Inputs	6
Type of Digital Inputs	5/24 V switchable
Number of Analog Inputs	1
Type of Analog Input	0-20 mA/0-10 V switchable, 0-10 V
Digital Outputs	2
Type of Digital Output	open-drain (max. 24 V/100 mA)
Encoder	✓
Encoder Type	single-turn absolute, multi-turn absolute
Multiturn Resolution	18 bit
Singleturn Resolution	12 bit

## VERSIONS

Type	Rated Power W	Rated Torque Ncm	Rated Current (RMS) A	Peak Current (RMS) A	Rated Speed rpm	Interface	Length mm	Weight kg
PD4-EB59CD-E	220	60	6	18	3500	EtherCAT, CANopen, EtherNet/IP, Modbus TCP, Modbus RTU, USB, IO (clock direction; analog)	123	1.35
PD4-EB59CD-M	220	60	6	18	3500	EtherCAT, CANopen	146.5	1.45

# PD4-EB

Brushless DC Motor with Integrated Controller and Protection Class IP65 - NEMA 23



## ORDER IDENTIFIER

**PD4-EB59CD-E-65-**  
 1 = EtherCAT  
 2 = CANopen  
 3 = EtherNet/IP  
 4 = Modbus TCP  
 5 = Modbus RTU  
 7 = USB, IO (clock direction; analog)

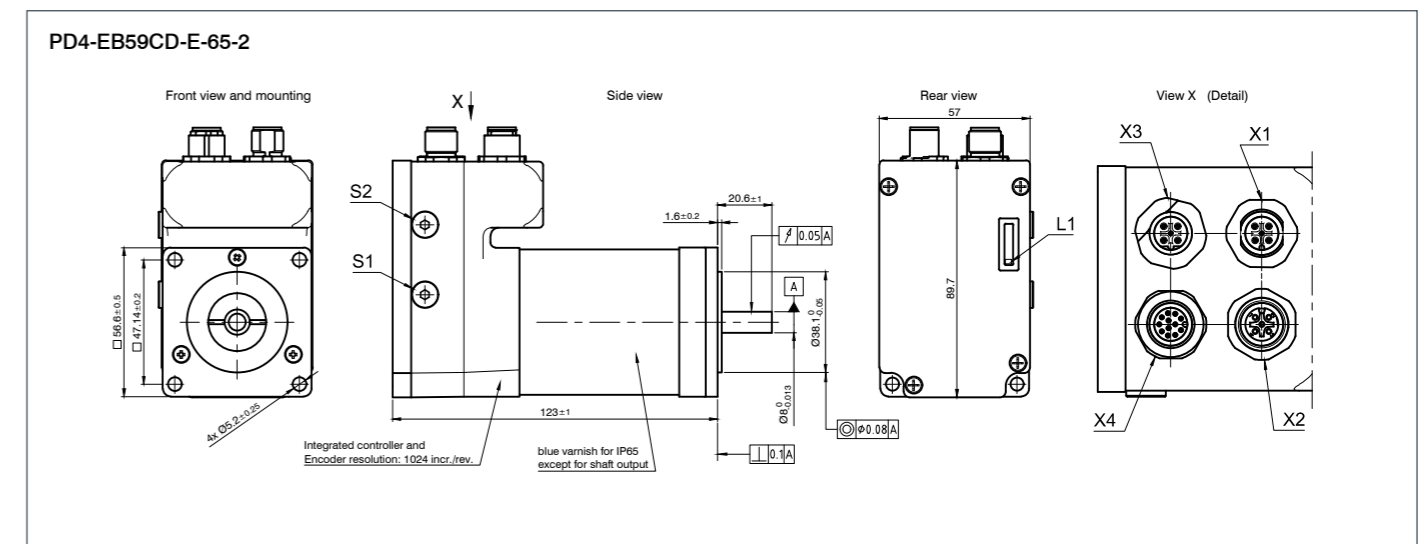
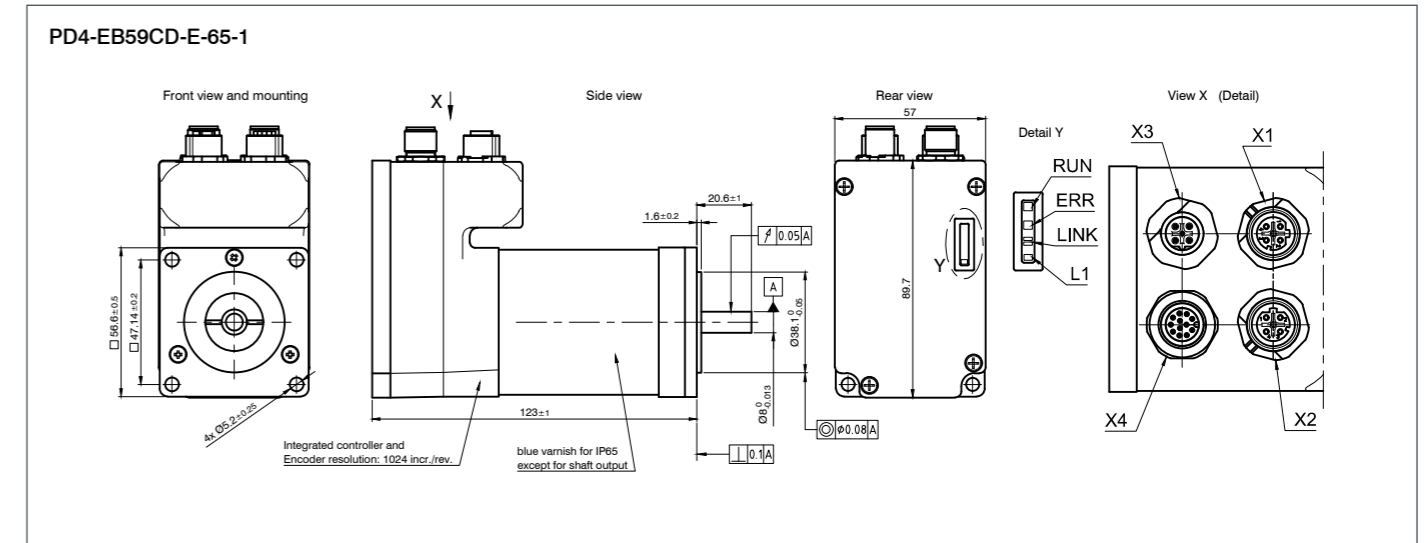
## ACCESSORIES

**ZK-USB** Mini USB Cable 1.5 m  
**ZK-M12-5-2M-1-AFF** CAN in straight 2m  
**ZK-M12-12-2M-1-AFF** IO straight 2m  
**ZK-M12-5-2M-1-B-S** Power straight 2m  
**ZK-M12-5-2M-1-A-S-M** CAN out straight 2m  
**ZK-M12-4-2M-1-D-RJ45** EtherCAT in/out straight 2m  
**ZK-M12F-M8M-5-200-S** CAN in straight 0.2m  
**ZK-M12M-M8F-5-200-S** CAN out straight 0.2m  
**ZK-M12M-M12F-5-500-S** CAN in/out straight 0.5m  
**Z-K4700/50** Charging Capacitor

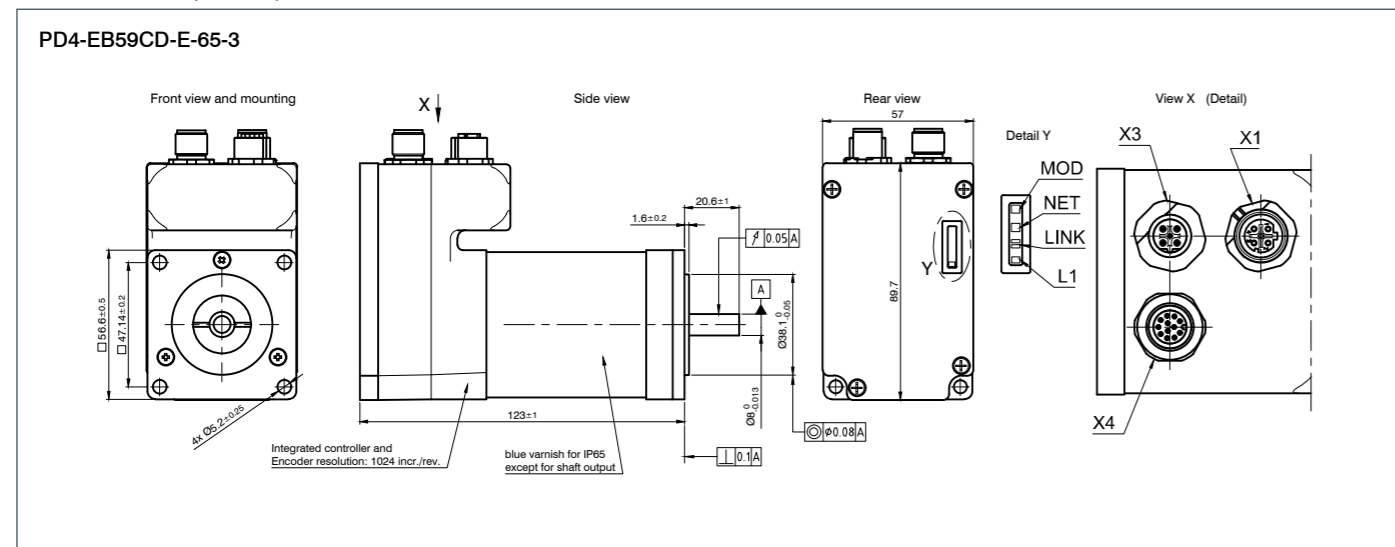
## CAUTION

We recommend using a charging capacitor of sufficient size to stabilize the operating voltage.

## DIMENSIONS (IN MM)



DIMENSIONS (IN MM)



DIMENSIONS (IN MM)

